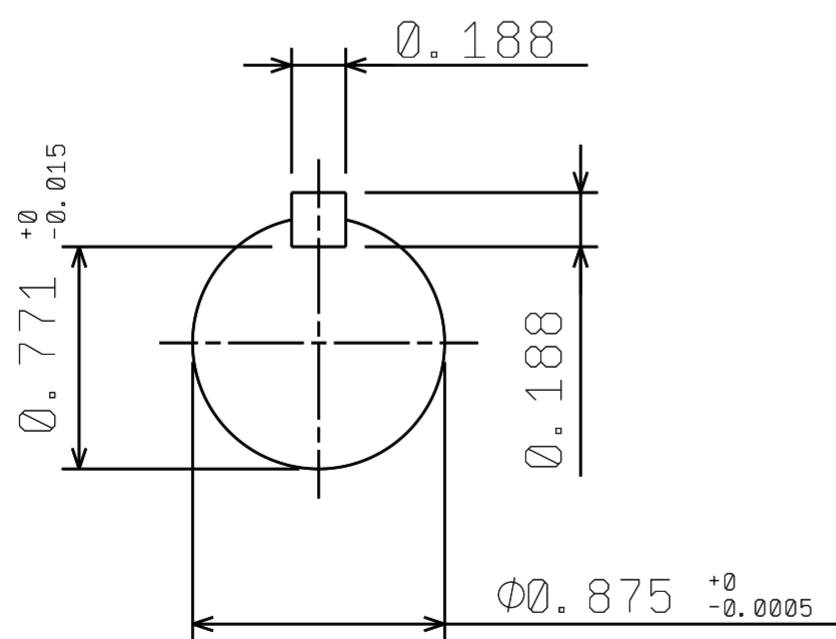
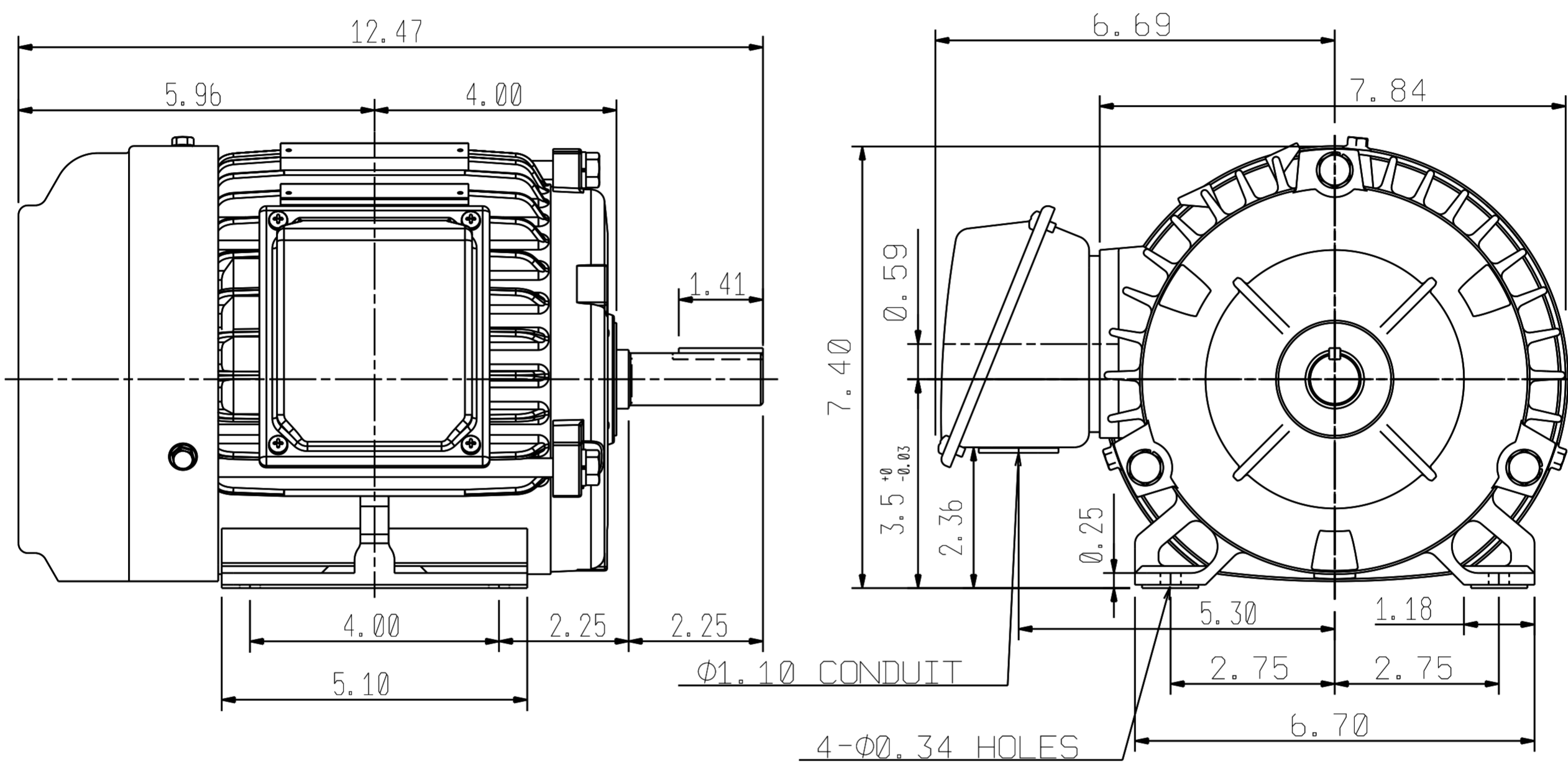


DATE MARCH. 2, 2020	OUTLINE DIMENSIONS  3-PHASE INDUCTION MOTOR	MOTOR TYPE: AEHH8P
DATE NP0014		FRAME NO. 143T

Pole	HP	kw	Hz	VOLT	r/min (rpm)
4	1	0.75	60	230/460	1800
Ins	Rating	Dimension in	Approx Weight	Bearings	
F	CONT.	Inch	43 lbs	DE: 6205ZZ NDE: 6205ZZ	

Totally Enclosed Fan-Cooled Type. Squirrel-Cage Rotor.



② 07 19 19	Modified Dimensions	Mahato
------------	---------------------	--------

DWG.	Mahato	12.27.18	TEC   Westinghouse	DWG NO.
CHKD.	M. C. JENG	05.30.19		31049R339012
APPD.	M. C. JENG	05.30.19		