

Electrical Connection

AP1: one cable inlet for PG 13,5 Cable Gland

AP2: one cable inlet by 1/2" NPT Plastic Adapter

AP3: one cable inlet for PG11 Cable Gland

AP4: one cable inlet for M16 x 1,5 Cable Gland

AP5: one cable inlet for M20 x 1,5 Cable Gland



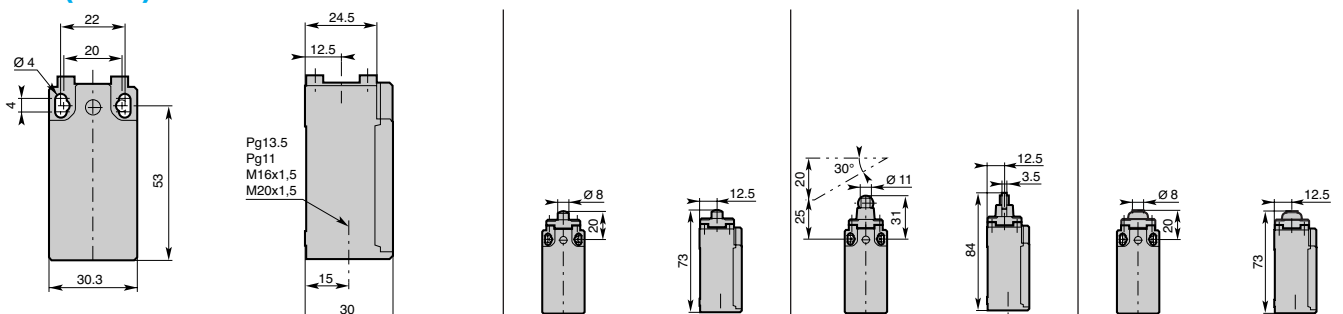
Operating Head Type

	T1• - Plain plunger T10: nylon plunger T11: metal plunger	T1• - Roller plunger T12: metal roller T13: nylon roller	T14 - Metal plunger with dust protection cup
Conformity / (N.C. contact with positive opening operation)	EN 50047	EN 50047	EN 50047
Max actuation speed [m/s]	0,5	0,3	0,5
Min. force [N] or torque [Nm]: actuation / positive opening operation	15 / 30	12 / 30	15 / 30

Additional Technical Datas

	Order Code	AP•T1•Z11	AP•T1•X11	AP•T1•Y11	AP•T1•W20	AP•T1•Z02
Z11 Snap Action Contacts (1NO + 1NC)	Order Code Operation Diagram	AP•T1•Z11 	AP•T1•X11 	AP•T1•Y11 	AP•T1•W20 	AP•T1•Z02
X11 Non overlapping Slow Action Contacts (1NO + 1NC)	Order Code Operation Diagram	AP•T1•X11 	AP•T1•X11 	AP•T1•Y11 	AP•T1•W20 	AP•T1•Z02
Y11 Overlapping Slow Action Contacts (1NO + 1NC)	Order Code Operation Diagram	AP•T1•Y11 	AP•T1•Y11 	AP•T1•Y11 	AP•T1•W20 	AP•T1•Z02
W02 Slow Action Contacts (2NC)	Order Code Operation Diagram	AP•T1•W02 	AP•T1•W02 	AP•T1•Y11 	AP•T1•W20 	AP•T1•Z02
W20 Slow Action Contacts (2NO)	Order Code Operation Diagram	AP•T1•W20 	AP•T1•W20 	AP•T1•Y11 	AP•T1•W20 	AP•T1•Z02
Z02 Snap Action Contacts (2NC)	Order Code Operation Diagram	AP•T1•Z02 	AP•T1•Z02 	AP•T1•Y11 	AP•T1•W20 	AP•T1•Z02
Weight (packing per unit)	[kg]	0,070	0,075	0,070	0,070	0,070

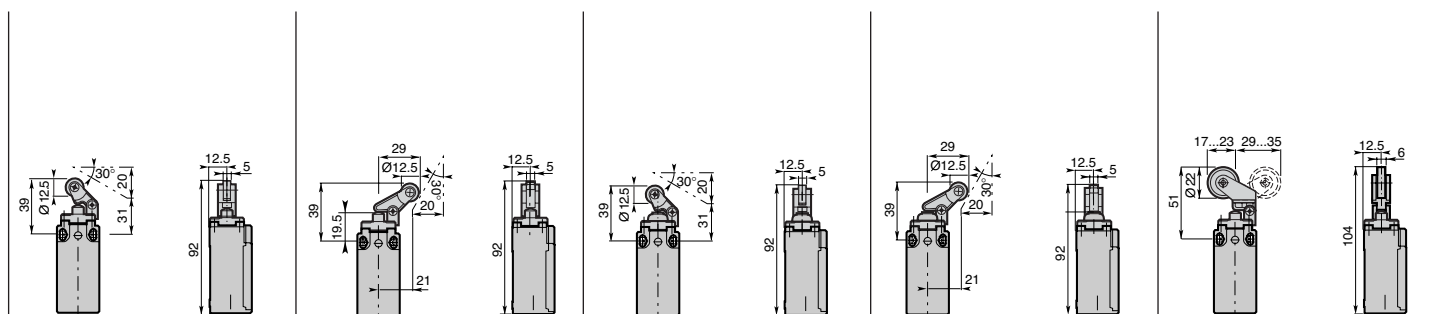
Dimensions (in mm)





<p>T30 - Plastic roller lever T30: on plastic plunger T31: on metal plunger</p>	<p>T32 - Plastic roller lever T32: on metal plunger T34: on plastic plunger</p>	<p>T35 - Plastic roller lever on metal plunger with dust protection cup</p>	<p>T36 - Plastic roller lever on metal plunger with dust protection cup</p>	<p>T38 - Adjustable plastic roller lever on metal plunger</p>
EN 50047	EN 50047	EN 50047	EN 50047	EN 50047
1,0 7 / 24	1,0 7 / 24	1,0 7 / 24	1,0 7 / 24	1,0 7 / 24

<p>AP•T3•Z11</p>	<p>AP•T3•Z11</p>	<p>AP•T35Z11</p>	<p>AP•T36Z11</p>	<p>AP•T38Z11</p>
<p>AP•T3•X11</p>	<p>AP•T3•X11</p>	<p>AP•T35X11</p>	<p>AP•T36X11</p>	<p>AP•T38X11</p>
<p>AP•T3•Y11</p>	<p>AP•T3•Y11</p>	<p>AP•T35Y11</p>	<p>AP•T36Y11</p>	<p>AP•T38Y11</p>
<p>AP•T3•W02</p>	<p>AP•T3•W02</p>	<p>AP•T35W02</p>	<p>AP•T36W02</p>	<p>AP•T38W02</p>
<p>AP•T3•W20</p>	<p>AP•T3•W20</p>	<p>AP•T35W20</p>	<p>AP•T36W20</p>	<p>AP•T38W20</p>
<p>AP•T3•Z02</p>	<p>AP•T3•Z02</p>	<p>AP•T35Z02</p>	<p>AP•T36Z02</p>	<p>AP•T38Z02</p>
0,075	0,080	0,075	0,080	0,080



Electrical Connection

- AP1:** one cable inlet for PG 13,5 Cable Gland
- AP2:** one cable inlet by 1/2" NPT Plastic Adapter
- AP3:** one cable inlet for PG11 Cable Gland
- AP4:** one cable inlet for M16 x 1,5 Cable Gland
- AP5:** one cable inlet for M20 x 1,5 Cable Gland



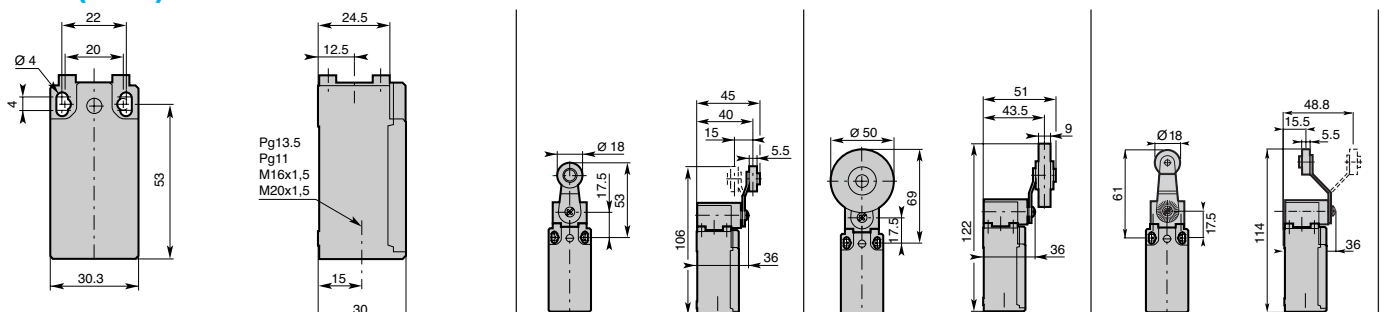
Operating Head Type

	T41 - Ø 18 nylon roller lever	T42 - Ø 50 rubber roller lever	T45 - Ø 18 nylon roller lever
Conformity / (N.C. contact with positive opening operation)	EN 50047		
Max actuation speed [m/s]	1,5	1,5	1,5
Min. force [N] or torque [Nm]: actuation / positive opening operation	0,10 / 0,32	0,10 / 0,32	0,10 / 0,32

Additional Technical Datas

Z11 Snap Action Contacts (1NO + 1NC)	Order Code Operation Diagram AP•T41Z11	Order Code Operation Diagram AP•T42Z11	Order Code Operation Diagram AP•T45Z11	
X11 Non overlapping Slow Action Contacts (1NO + 1NC)	Order Code Operation Diagram AP•T41X11	Order Code Operation Diagram AP•T42X11	Order Code Operation Diagram AP•T45X11	
Y11 Overlapping Slow Action Contacts (1NO + 1NC)	Order Code Operation Diagram AP•T41Y11	Order Code Operation Diagram AP•T42Y11	Order Code Operation Diagram AP•T45Y11	
W02 Slow Action Contacts (2NC)	Order Code Operation Diagram AP•T41W02	Order Code Operation Diagram AP•T42W02	Order Code Operation Diagram AP•T45W02	
W20 Slow Action Contacts (2NO)	Order Code Operation Diagram AP•T41W20	Order Code Operation Diagram AP•T42W20	Order Code Operation Diagram AP•T45W20	
Z02 Snap Action Contacts (2NC)	Order Code Operation Diagram AP•T41Z02	Order Code Operation Diagram AP•T42Z02	Order Code Operation Diagram AP•T45Z02	
Weight (packing per unit)	[kg]	0,095	0,115	0,095

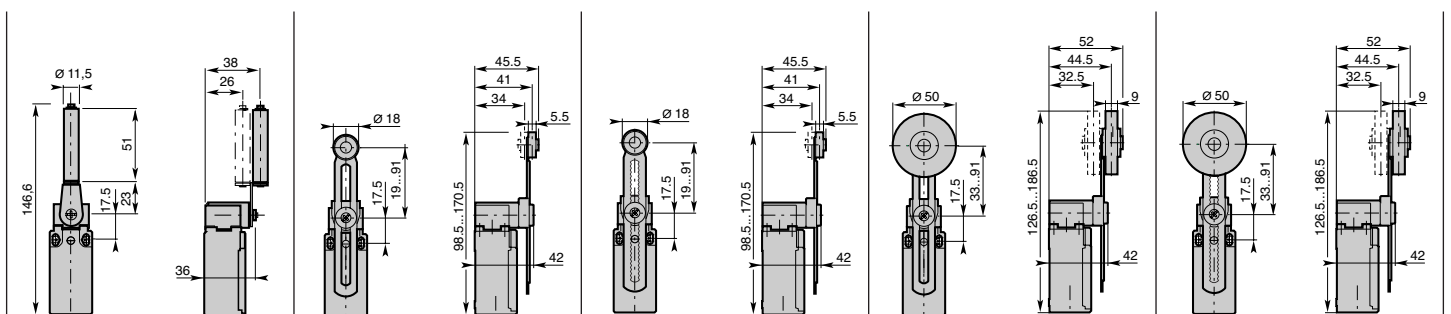
Dimensions (in mm)





T48 - Ceramic rod lever	T51 - Adjustable lever with Ø 18 nylon roller	T5100 - Adjustable toothed lever (step 2 mm) with Ø 18 nylon roller	T52 - Adjustable lever with Ø 50 rubber roller	T5200 - Adjustable toothed lever (step 2 mm) with Ø 50 rubber roller
1,5 0,10 / 0,32	1,5 0,10 / 0,32	1,5 0,10 / 0,32	1,5 0,10 / 0,32	1,5 0,10 / 0,32

AP•T48Z11 	AP•T51Z11 	AP•T5100Z11 	AP•T52Z11 	AP•T5200Z11
AP•T48X11 	AP•T51X11 	AP•T5100X11 	AP•T52X11 	AP•T5200X11
AP•T48Y11 	AP•T51Y11 	AP•T5100Y11 	AP•T52Y11 	AP•T5200Y11
AP•T48W02 	AP•T51W02 	AP•T5100W02 	AP•T52W02 	AP•T5200W02
AP•T48W20 	AP•T51W20 	AP•T5100W20 	AP•T52W20 	AP•T5200W20
AP•T48Z02 	AP•T51Z02 	AP•T5100Z02 	AP•T52Z02 	AP•T5200Z02
0,100	0,105	0,105	0,125	0,125



Electrical Connection

- AP1:** one cable inlet for PG 13,5 Cable Gland
- AP2:** one cable inlet by 1/2" NPT Plastic Adapter
- AP3:** one cable inlet for PG11 Cable Gland
- AP4:** one cable inlet for M16 x 1,5 Cable Gland
- AP5:** one cable inlet for M20 x 1,5 Cable Gland



Operating Head Type

T55 - Adjustable lever with adjustable Ø 50 Rubber roller

T5500 - Adjustable toothed lever (step 2 mm) with adjustable Ø 50 Rubber roller

T61 - Nylon actuator with stainless steel spring

Conformity / (N.C. contact with positive opening operation)
Max actuation speed [m/s]
Min. force [N] or torque [Nm]: actuation / positive opening operation

1,5
0,10 / 0,32

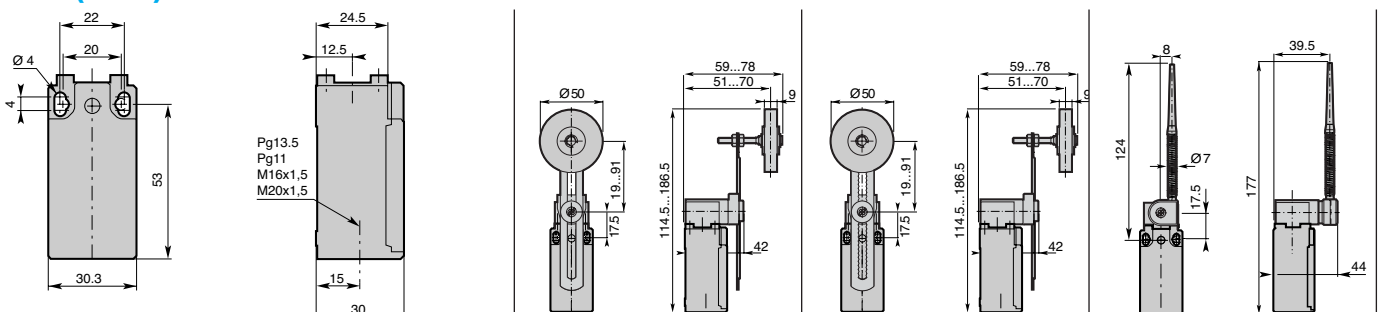
1,5
0,10 / 0,32

1,5
0,10 / -

Additional Technical Datas

	Order Code	AP•T55Z11	AP•T5500Z11	AP•T61Z11
Z11 Snap Action Contacts (1NO + 1NC)	Order Code			
X11 Non overlapping Slow Action Contacts (1NO + 1NC)	Order Code			
Y11 Overlapping Slow Action Contacts (1NO + 1NC)	Order Code			
W02 Slow Action Contacts (2NC)	Order Code			
W20 Slow Action Contacts (2NO)	Order Code			
Z02 Snap Action Contacts (2NC)	Order Code			
Weight (packing per unit)	[kg]	0,130	0,130	0,105

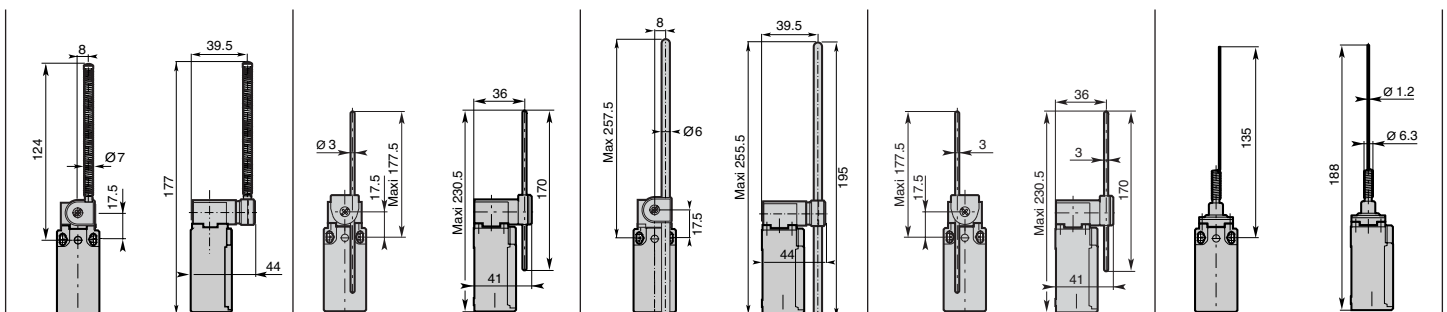
Dimensions (in mm)





T62 - Stainless steel spring actuator	T7• - Adjustable Ø 3 rod lever T71: stainless steel rod T72: fiberglass rod	T7• - Adjustable Ø 6 rod lever T73: nylon rod T74: fiberglass rod	T75 - Adjustable square steel rod lever	T91: Stainless steel spring multidirectional actuator
1,5 0,10 / -	1,5 0,10 / 0,32	1,5 0,10 / 0,32	1,5 0,10 / 0,32	1,0 0,12 / -

AP•T62Z11 	AP•T7•Z11 	AP•T7•Z11 	AP•T75Z11 	AP•T91Z11
AP•T62X11 	AP•T7•X11 	AP•T7•X11 	AP•T75X11 	AP•T91X11
AP•T62Y11 	AP•T7•Y11 	AP•T7•Y11 	AP•T75Y11 	AP•T91Y11
AP•T62W02 	AP•T7•W02 	AP•T7•W02 	AP•T75W02 	AP•T91W02
AP•T62W20 	AP•T7•W20 	AP•T7•W20 	AP•T75W20 	AP•T91W20
AP•T62Z02 	AP•T7•Z02 	AP•T7•Z02 	AP•T75Z02 	AP•T91Z02
0,105	0,105	0,115	0,105	0,080



Electrical Connection

- AP1:** one cable inlet for PG 13,5 Cable Gland
- AP2:** one cable inlet by 1/2" NPT Plastic Adapter
- AP3:** one cable inlet for PG11 Cable Gland
- AP4:** one cable inlet for M16 x 1,5 Cable Gland
- AP5:** one cable inlet for M20 x 1,5 Cable Gland



Operating Head Type

T92: Multidirectional nylon actuator with stainless steel spring

T93: Stainless steel spring multidirectional actuator

T98: Pull action with ring

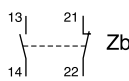
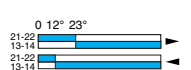
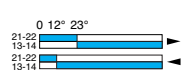
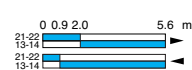
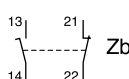
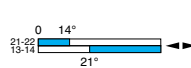
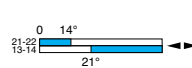
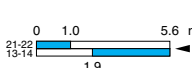
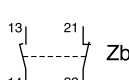
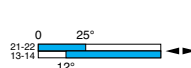
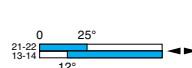
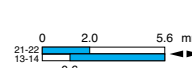
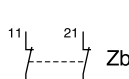
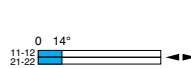
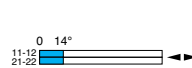




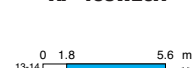
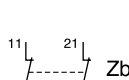


Conformity / N.C. (N.C. contact with positive opening operation)
Max actuation speed [m/s]
Min. force [N] or torque [Nm]: actuation / positive opening operation

1,0
0,12 / -

1,0
0,12 / -

0,5
30 / -

Additional Technical Datas

	Order Code	AP•T92Z11	AP•T93Z11	AP•T98Z11A
Z11 Snap Action Contacts (1NO + 1NC) 	Operation Diagram			
X11 Non overlapping Slow Action Contacts (1NO + 1NC) 	Operation Diagram			
Y11 Overlapping Slow Action Contacts (1NO + 1NC) 	Operation Diagram			
W02 Slow Action Contacts (2NC) 	Operation Diagram			
W20 Slow Action Contacts (2NO) 	Operation Diagram			
Z02 Snap Action Contacts (2NC) 	Operation Diagram			
Weight (packing per unit)	[kg]	0,085	0,090	0,115

Dimensions (in mm)

