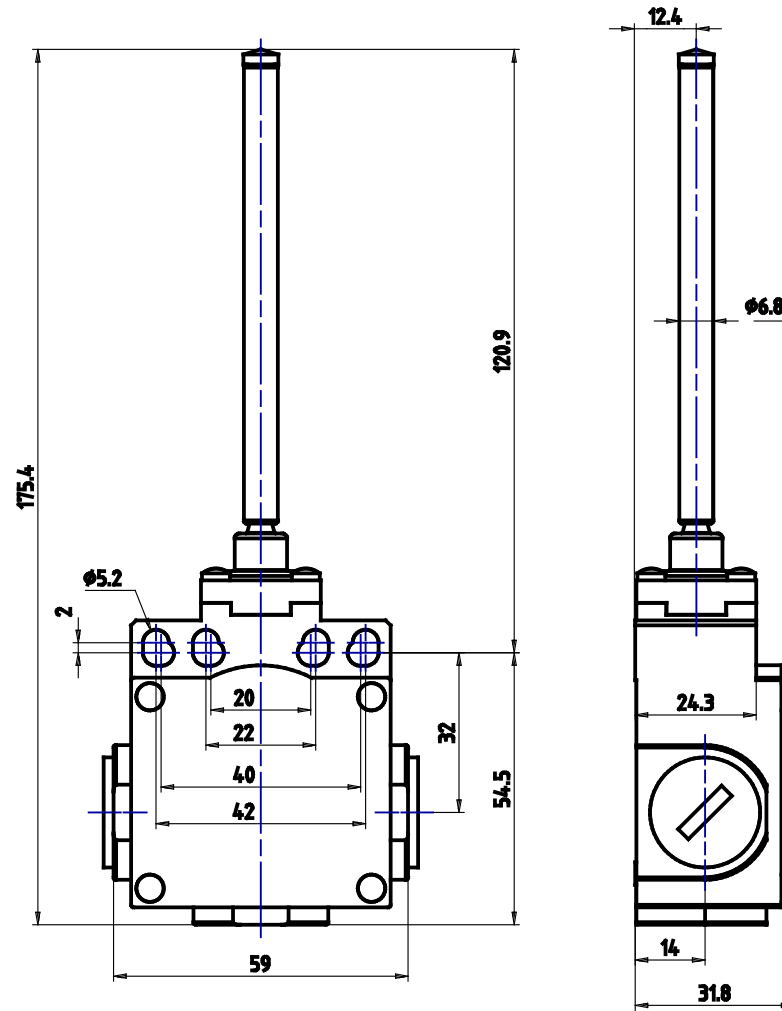


DETAILS:

| | |
|--|---|
| Part Number | DM1T93Z11 |
| Casing Material | Painted zamak |
| Width [mm] | 50 |
| Electrical connections | Three threaded cable inlets for PG13.5 cable glands |
| IP Degree of Protection | IP65 |
| Actuating Head | Multidirectional stainless steel spring actuator |
| Head Material | Thermoplastic head |
| Microswitch | Snap action contacts (1NO + 1NC) |
| Approvals | IMQ - cULus - CCC - CSA - EAC |
| Reference Directives | LVD - 2014/35/EU |
| Reference Standards | IEC 60947-5-1 / EN 60947-5-1 |
| Operating Temperatures [°C] | -25°C ... +70°C |
| Stock Temperatures [°C] | -30°C ... +80°C |
| Protection against electric shocks (according to IEC 60536) [Class] | Class I |
| Rated Insulating Voltage U_i [V] | 500 |
| Pollution Degree | 3 |
| Contact rating secondo UL50 | A300 - Q300 |
| Rated Impulsive Voltage U_{imp} [kV] | 6 |
| Conventional thermal current in air free $I_{th}(\theta)$ | 10 |
| Short circuit protection (EU) | 10 |
| Operating currents I_e - AC-15 (50-60 Hz) according to IEC 60947-5-1 | 24V - 10A / 120V - 6A / 400V - 4A |
| DC-13 operating currents according to IEC 60947-5-1 | 24V - 6A / 125V - 0.55A / 250V - 0.4A |
| Switching Frequency [cycles/hour] | 3600 |
| Resistance Between Contacts [mΩ] | 25 |
| Connecting Terminals | M3.5 screw with cable clamp (+,-) pozidriv 2 |
| Connecting Cables Dimensions [mm ²] | 0.75 ... 2.5 |
| Protective Conductor Terminal | M3.5 screw with cable clamp (+,-) pozidriv 2 |
| Marking Terminals | According to IEC 60947-5-1 |
| Mechanical Durability [Millions of Operations] | 25 |
| B10d [Millions of Operations] | 50 |

TECHNICAL VIEW:



| | | | | | | |
|-----|----|----|---|-----|-----|---|
| Z11 | 13 | 21 | 0 | 12° | 23° | |
| | 14 | 22 | | | | ▶ |
| | | | | | | ▶ |
| | | | | | | |