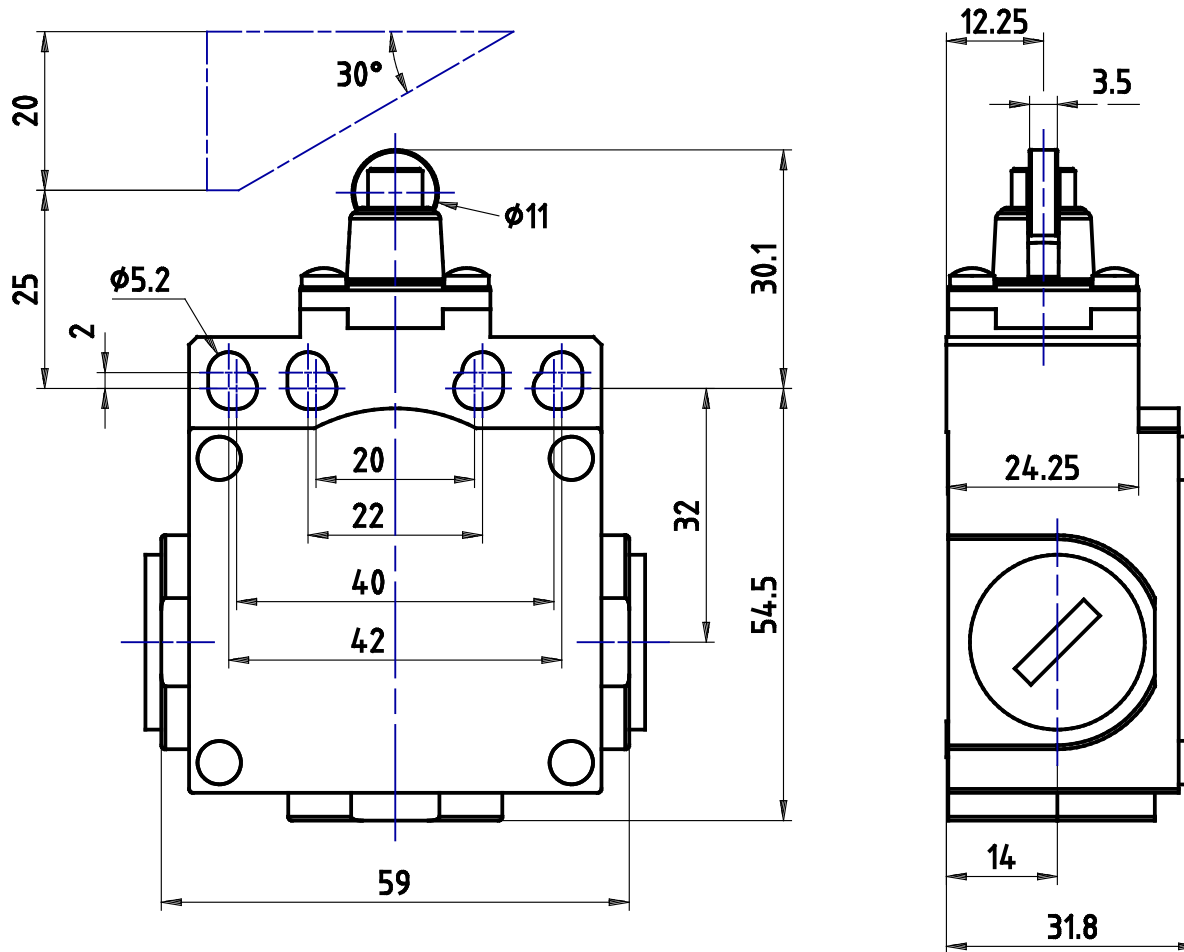
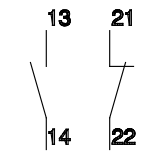
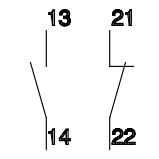


DETAILS:

Part Number	DM1F12Z11
Casing Material	Painted zamak
Width [mm]	50
Electrical connections	Three threaded cable inlets for PG13.5 cable glands
IP Degree of Protection	IP66
Actuating Head	Stainless steel roller plunger
Head Material	Metal Head
Microswitch	Snap action contacts (1NO + 1NC)
Approvals	IMQ - cULus - CCC - CSA - EAC
Reference Directives	LVD - 2014/35/EU
Reference Standards	IEC 60947-5-1 / EN 60947-5-1
Operating Temperatures [°C]	-25°C ... +70°C
Stock Temperatures [°C]	-30°C ... +80°C
Protection against electric shocks (according to IEC 60536) [Class]	Class I
Rated Insulating Voltage Ui [V]	500
Pollution Degree	3
Contact rating secondo UL50	A300 - Q300
Rated Impulsive Voltage Uimp [kV]	6
Conventional thermal current in air free Ith (θ)	10
Short circuit protection (EU)	10
Operating currents Ie - AC-15 (50-60 Hz) according to IEC 60947-5-1	24V - 10A / 120V - 6A / 400V - 4A
DC-13 operating currents according to IEC 60947-5-1	24V - 6A / 125V - 0.55A / 250V - 0.4A
Switching Frequency [cycles/hour]	3600
Resistance Between Contacts [mΩ]	25
Connecting Terminals	M3.5 screw with cable clamp (+,-) pozidriv 2
Connecting Cables Dimensions [mm²]	0.75 ... 2.5
Protective Conductor Terminal	M3.5 screw with cable clamp (+,-) pozidriv 2
Marking Terminals	According to IEC 60947-5-1
Mechanical Durability [Millions of Operations]	25
B10d [Millions of Operations]	50

TECHNICAL VIEW:



Z11	13	21	0	2.5	4.7	7.6	9.6mm
			21-22	⊕			▶
			13-14				▶
			21-22				▶
13-14						▶	