

Autonics

Logic Panel LP-S044

MANUAL



Thank you very much for selecting Autonics products. For your safety, please read the following before using.

Caution for your safety

- Please keep these instructions and review them before using this unit. Please observe the cautions that follow. Warning Serious injury may result if instructions are not followed. Caution Product may be damaged, or injury may result if instructions are not followed. The following is an explanation of the symbols used in the operation manual. Caution: Injury or danger may occur under special conditions.

Warning

- In case of using this unit with machinery... Do not use the Logic Panel where serious physical damage or production halt can be caused. In the event of a body defect or malfunction in the Logic Panel, an alternative circuit must be constructed on the exterior. Construct an emergency power-off circuit, safety circuit, or interlock circuit on the exterior of the Logic Panel. If an error occurs on the watchdog timer of the Logic Panel, the logic program will shut down automatically, so an alternative circuit must be constructed on the exterior. The overall system operation may malfunction due to an input error resulting from a failure in input signal detection; so an alternative circuit must be constructed on the exterior. For output signals that may cause a serious accident if the output section is damaged, a detection circuit and alternative circuit must be constructed on the exterior. In case controlling other devices through Logic Panel communication, and there is a possibility of malfunction due to communication error, an alternative circuit must be constructed. When switching the mode to RUN mode please make sure that supply power to LP, I/O unit and load first. If not, output error or misoperation may cause. Do not use the product in an area or an environment not specified in the manual. Do not connect, inspect or repair when power is on. Do not disassemble the case. Please contact us if it is required. Please use the rectified power with insulation transformer. Do not use the power exceeded the rated voltage. Lithium battery is used in this product, do not disassemble or burn up. Wire properly after checking power terminal polarity.

Caution

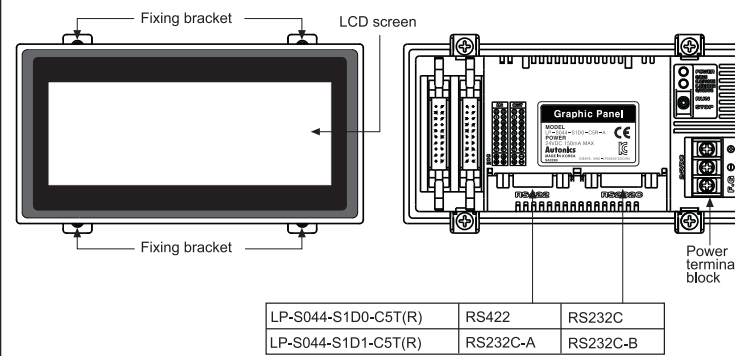
- Please read all notes related to installation and wiring in the manual. Make sure the ground wire of Logic Panel is wired separately from the ground wires of other devices. Ground resistance must be less than 100Ω, and a lead wire of which sectional area is over 1.25mm² should be used. When connecting Logic Panel ports and constructing input/output, check the pin number and terminal block before connecting. Please tighten bolt on terminal block with specified tightening torque. Do not press the surface of the touch panel with sharp or hard objects. Keep Logic Panel at the specified temperature.

- Do not inflow dust or wire dregs into the unit. Do not use in an area with excessive humidity or temperature. Do not close ventilating opening of this product. Keep the product out of direct sunlight or excessive dust. When liquid crystal from the broken LCD is smeared with skin, wash it for 15 minutes. In cleaning unit, do not use water or an oil-based detergent and use dry towels. Please separate as an industrial waste when disuse this unit. To change the battery, contact the store or an authorized technician. The manufacturer is not liable for damages that occur due to causes for which the manufacturer is not responsible, damages that occur due to an extraordinary situation, secondary damages, compensation for accidents, damages occurring on other products, compensation for other processes, and damage and loss of opportunity to the user due a malfunction of the product, regardless of the predictability of the accident. Note that this device is KC certified for commercial use. Make proper applications for the product. The above specifications are subject to change and some models may be discontinued without notice.

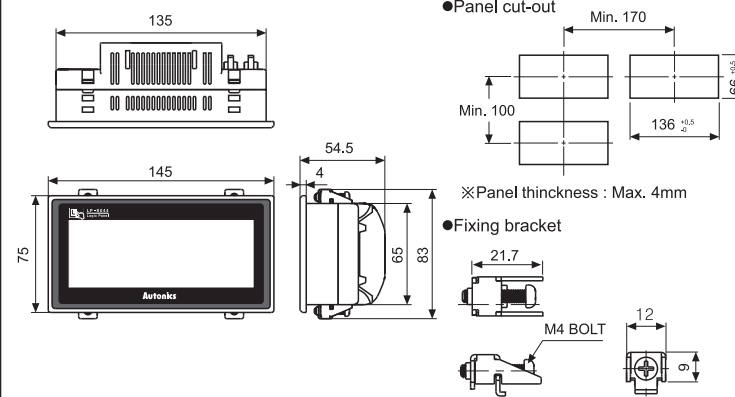
Model

Table with columns for Model, Monitor size, Display unit, Color, Power supply, Interface, Module, I/O composition, I/O connector, and Expansion function.

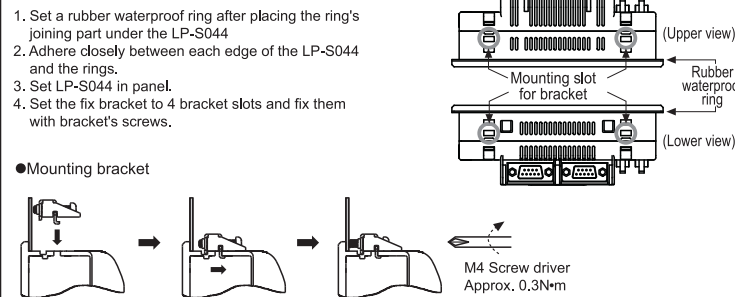
Parts description



Dimensions



Installation



Specifications

General Specifications table including Model, Power supply, Allowable voltage range, Power consumption, Serial interface, Real-time controller, Battery life cycle, Insulated resistance, Ground, Noise immunity, Withstanding voltage, and Vibration/Shock/Environment ratings.

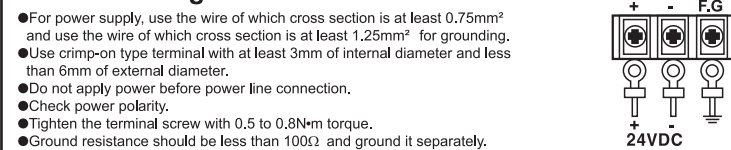
Performance Specifications

Performance Specifications table including Display performance (LCD type, Resolution, Display area, Color, LCD view angle, Backlight, Brightness), Graphical Drawing Performance (Language, Text, Graphic drawing memory, Number of user screen, Touch switch), Interface type (Communication interface), Input/Output (Input point, Insulation method, Voltage range, Rated input voltage, Rated input current, Input resistance, Response time, Common method), and Control performance (Command, Program capacity, Processing time, I/O control type, Computer control mode, Device range).

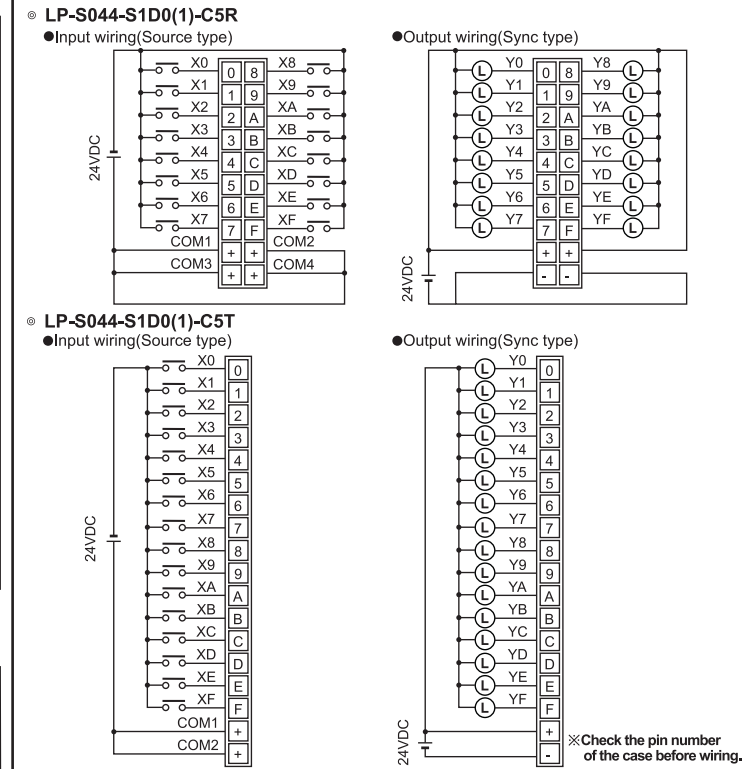
Serial interface

Serial interface table showing pin configurations for RS232C-A, RS232C-B, and RS422 ports.

Power wiring



Input/Output wiring



Software

Please visit our website (www.autonics.com) to download GP Editor, LP Series, or firmware. GP Editor is for editing shape, arrangement, default of tag data which is displayed on LP-S044 screen. SmartStudio is for writing program and debugging to LP-S044. For GP Editor, SmartStudio software, computer specification is as below. Operating system: Windows 98/NT/XP/Vista. Table with columns for Item, Minimum specification, and Recommended specification.

Firmware Please refer to 'SmartStudio user manual.'

Manual

Visit our website (www.autonics.com) to download 'GP Editor user manual, SmartStudio user manual, SmartStudio programming manual, LP Series command manual, LP-S044 user manual, or GP/LP user manual for communication'. GP Editor user manual It describes how to write screen data, and is about related usage of LP HMI function. SmartStudio user manual, SmartStudio programming manual, LP Series command manual It contains install method and usage, commands, etc of SmartStudio. GP, LP user manual for communication It describes connection for external devices such as PLC. LP-S044 user manual It describes general information on the installation and usage of Logic panel and system contents.

Battery replacement

Please contact our service center to replace LP-S044 battery. It may cause an explosion or a fire when using improper battery.

Cable

Communication cables connectable into external devices such as PLC are sold separately. Please refer to "GP, LP user manual for communication" for communication cable.

Caution for using

- Use communication cable after checking whether there is break, short. Please install power switch or circuit-breaker in order to cut power supply off. Separate this unit from high voltage line, power line to avoid inductive noise. Do not use this product at below places. Place where there is severe vibration or impact. Place where dust exists, or corrosion causing environments. Place where strong magnetic field or electric noise are generated. Place where is temperature/humidity is beyond the specification. Place where strong alkalis or vibration or impact. Place where there are direct ray of the sun. Installation environment: It shall be used indoor. Altitude Max. 2,000m. Pollution Degree 2. Installation Category II. It may cause malfunction if above instructions are not followed.

Major products

Autonics Corporation logo and list of major products including photoelectric sensors, fiber optic sensors, door sensors, area sensors, proximity sensors, pressure sensors, rotary encoders, connector/sockets, stepping motors/drivers/motion controllers, control switches/lamps/buzzers, field network devices, laser marking system, and laser welding/soldering system.

Autonics Corporation contact information: Satisfiable Partner For Factory Automation, HEAD QUARTERS: 18, Binsong-ro 513beon-gil, Haeundae-gu, Busan, Korea. OVERSEAS SALES: #402-404, Bucheon Techno Park, 655, Pyeongcheon-ro, Wonmi-gu, Bucheon, Gyeonggi-do, Korea. TEL: 82-32-610-2730 / FAX: 82-32-329-0728. E-mail: sales@autonics.com