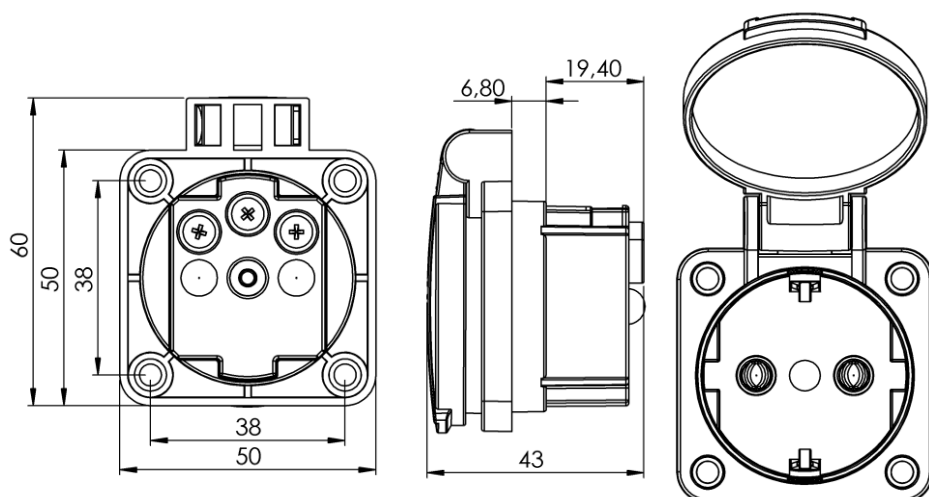


Altech Corp.®

Technical Specifications : AE12506



Order Code:

AE12506

GRAY

Technical Information :

General Specifications

Operating Temperature	-25/+80°C
Mechanical life	≥5.000
Electrical Life	≥1.000
Protection Degree	IP44

Standards:

- TS EN 61984



Electrical Informations :

General Specifications

		2P+E
Operating Voltage	Ue	250V AC
Operating Current	Ie	16A
Insulation Voltage	Ui	690V
Impact Resistance	Uimp	2 kV
Insulation Resistance		10 MΩ min. (500V DC)
Utilization Category		AC15
Dielectric Strength		2.000V AC