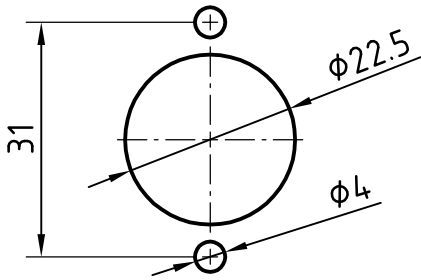
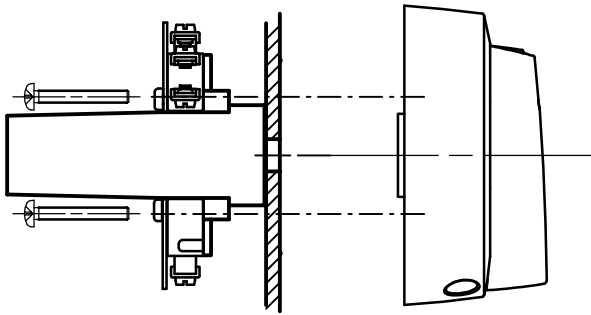


INSTALLATION OF DOOR MOUNTING KIT OKA/KU FOR KU-TYPE SWITCHES, LK10

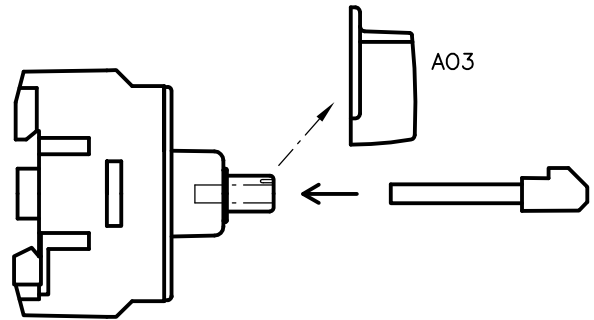
1. Drill the required holes in the door.



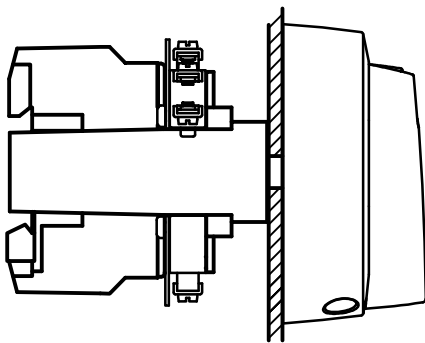
2. Fix the handle and the OKA door mounting kit to the door.



3. Remove position indicator from the switch if applicable. Press the shaft (L=52AD11 mm) into the switch. Connect the wires to the terminals.



4. Turn the switch to OFF-position (0). Push the switch in place until the snap-on grips are firmly clipped on both sides of the switch.



WARNING: Auxiliary contact may be broken if pushed on switch in ON-position (1).