

FUSE TERMINAL BLOCKS

These Terminal Blocks are used in electrical and control systems which require fuse protection. The CF series accepts industry standard Ø5 x 20 mm and Ø5 x 25 mm glass cartridge fuses. These blocks are completely closed and do not need a separate end plate.

CF4SP series fuse terminals, have a thickness of 6 mm with a provision for using internal shorting links. In control & automation wiring circuits it can be used in an alternating configuration with CTS2.5UN, CTS2.5UE, CTS4UN and CF4SPFT feed through terminals.

CF4UL & CF4SPL series terminals are used for offline indication in case of a fuse blow out.

These blocks can be used with AC & DC voltages.

CF4U



Width (Thickness) x Length	8 x 57 mm		
Height with DIN 35 x 7.5 / 35 x 15 / 32 mm Rail	50.3 mm / 57.6 mm / 56.5 mm		
Connection Possibility as per	With 1 Conductor per clamp		With 2 same size Conductors per clamp
	Stranded / Flexible	Solid	Stranded / Flexible with TWIN Ferrule / Lug
Wire Stripping Length	9.5 mm		
Ratings As Per	IEC60947-7-3	UL-1059	CSA22.2-158
Voltage	1000 V	600 V	600 V
Current	6.3 A	10 A	10 A
Torque	0.5 Nm	7 lb-in	7 lb-in

IEC	UL - CSA
0.2 - 4.0 mm ²	22 - 10 AWG
0.2 - 6.0 mm ²	
0.2 - 4.0 mm ²	22 - 10 AWG
0.2 - 2.5 mm ²	22 - 12 AWG
0.2 - 2.5 mm ²	22 - 12 AWG

Approvals			
Insulation Material / Comparative Tracking Index	Polyamide 66 / 1		
Rated Impulse Voltage / Pollution Degree	8 KV / 3		
Fuse Size	Ø5 x 20, Ø5 x 25 mm		

Terminal Block	Type / Cat. No.	Standard Pack
For 6 - 60 V AC/DC	CF4U	100
For 110 - 240 V AC/DC		
Same profile feed through terminal (Refer Page 42)		

Mounting Rail (Refer Pg. 154 for details)	End Clamp (Refer Pg. 155 for details)	Type / Cat. No.	Standard Pack
		CA701	50 m
		CA701-15	50 m
		CA501	50 m
		CA702	50
		CA802	50

Pre Assembled Shorting Links	Type / Cat. No.	Standard Pack
2 pole		
3 pole		
4 pole		
10 pole		
100 pole		

Insulated Pre Assembled Shorting Link	Type / Cat. No.	Standard Pack
2 pole		
3 pole		
4 pole		
10 pole		
100 pole		

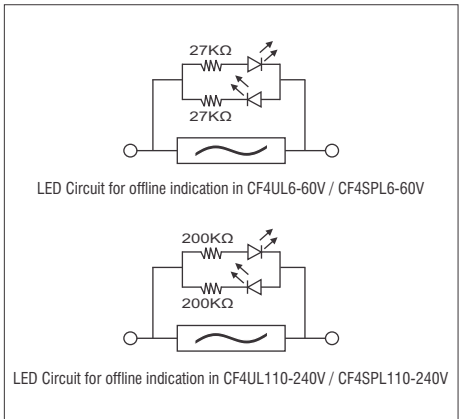
Permanent Shorting Links	Type / Cat. No.	Standard Pack
2 pole		
3 pole		
4 pole		
10 pole		
10 pole (Breakable)		
100 pole		

Short Sleeve & Screw for Permanent Shorting Links	Type / Cat. No.	Standard Pack

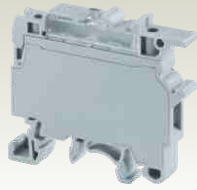
Insulated External Shorting Links	Type / Cat. No.	Standard Pack
2 pole	CA711/2	I _{max.} : 32 A / 100
3 pole	CA711/3	32 A / 50
4 pole	CA711/4	32 A / 50
10 pole	CA711/10	32 A / 20

Marking Tags	Type / Cat. No.	Standard Pack
On Terminal	CA509/K8	100
On Fuse Carrier	CA509/K6	100

Screw Driver	Type / Cat. No.	Standard Pack
	SCS0.6/3.5	Blade size: 0.6 x 3.5 mm / 10



CF4UL



8 x 57 mm

50.3 mm / 57.6 mm / 56.5 mm

IEC	UL - CSA
0.2 - 4.0 mm ²	22 - 10 AWG
0.2 - 6.0 mm ²	
0.2 - 4.0 mm ²	22 - 10 AWG
0.2 - 2.5 mm ²	22 - 12 AWG
0.2 - 2.5 mm ²	22 - 12 AWG

9.5 mm

IEC60947-7-3 UL-1059 CSA22.2-158

1000 V	600 V	600 V
6.3 A	10 A	10 A

0.5 Nm	7 lb-in	7 lb-in
--------	---------	---------



Polyamide 66 / 1

8 KV / 3

Ø5 x 20, Ø5 x 25 mm

6 - 60 V AC/DC, 110 - 240 V AC/DC

Type / Cat. No.	Standard Pack	
CF4UL6-60V	50	
CF4UL110-240V	50	
CA701	50 m	
CA701-15	50 m	
CA501	50 m	
CA702	50	
CA802	50	
CA722/2	100	
CA722/3	100	
CA722/4	100	
CA722/10	10	
CA722/100	10	
CA742/2	100	
CA742/3	100	
CA742/4	100	
CA742/10	10	
CA742/100	10	
CA703/1	100	
CA704/1	100	
CA705/1	100	
CA732/10	100	
CA732/10-A	100	
CA732/100	10	
CA707/S/Q/01	100	
CA711/2	Imax.: 32 A	100
CA711/3	32 A	50
CA711/4	32 A	50
CA711/10	32 A	20
CA509/K8	100	
CA509/K6	100	
SCS0.6/3.5	Blade size: 0.6 x 3.5 mm	10

CF4SP



6 x 58.5 mm

70.0 mm / 77.5 mm / 75.0 mm

IEC	UL - CSA
0.2 - 4.0 mm ²	24 - 10 AWG
0.2 - 6.0 mm ²	
0.2 - 4.0 mm ²	24 - 10 AWG
0.2 - 2.5 mm ²	24 - 12 AWG
0.2 - 2.5 mm ²	24 - 12 AWG

8 mm

IEC60947-7-3 UL-1059

1000 V	600 V
6.3 A	10 A

0.5 Nm	4.5 lb-in
--------	-----------



Polyamide 66 / 1

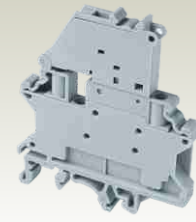
4 KV / 3

Ø5 x 20 mm

6 - 60 V AC/DC, 110 - 240 V AC/DC

Type / Cat. No.	Standard Pack	
CF4SP	50	
CF4SPFT	50	
CA701	50 m	
CA701-15	50 m	
CA501	50 m	
CA702	50	
CA802	50	
CA722/2	100	
CA722/3	100	
CA722/4	100	
CA722/10	10	
CA722/100	10	
CA742/2	100	
CA742/3	100	
CA742/4	100	
CA742/10	10	
CA742/100	10	
CA703/1	100	
CA704/1	100	
CA705/1	100	
CA732/10	100	
CA732/10-A	100	
CA732/100	10	
CA707/S/Q/01	100	
CA714/2	Imax.: 32 A	100
CA714/3	32 A	50
CA714/4	32 A	50
CA714/10	32 A	20
CA509/K6	100	
CA509/K6	100	
SCS0.6/3.5	Blade size: 0.6 x 3.5 mm	10

CF4SPL



6 x 58.5 mm

70.0 mm / 77.5 mm / 75.0 mm

IEC	UL - CSA
0.2 - 4.0 mm ²	24 - 10 AWG
0.2 - 6.0 mm ²	
0.2 - 4.0 mm ²	24 - 10 AWG
0.2 - 2.5 mm ²	24 - 12 AWG
0.2 - 2.5 mm ²	24 - 12 AWG

8 mm

IEC60947-7-3 UL-1059

1000 V	600 V
6.3 A	10 A

0.5 Nm	4.5 lb-in
--------	-----------



Polyamide 66 / 1

4 KV / 3

Ø5 x 20 mm

6 - 60 V AC/DC, 110 - 240 V AC/DC

Type / Cat. No.	Standard Pack	
CF4SPL6-60V	50	
CF4SPL110-240V	50	
CF4SPFT	50	
CA701	50 m	
CA701-15	50 m	
CA501	50 m	
CA702	50	
CA802	50	
CA722/2	100	
CA722/3	100	
CA722/4	100	
CA722/10	10	
CA722/100	10	
CA742/2	100	
CA742/3	100	
CA742/4	100	
CA742/10	10	
CA742/100	10	
CA703/1	100	
CA704/1	100	
CA705/1	100	
CA732/10	100	
CA732/10-A	100	
CA732/100	10	
CA707/S/Q/01	100	
CA714/2	Imax.: 32 A	100
CA714/3	32 A	50
CA714/4	32 A	50
CA714/10	32 A	20
CA509/K6	100	
CA509/K6	100	
SCS0.6/3.5	Blade size: 0.6 x 3.5 mm	10