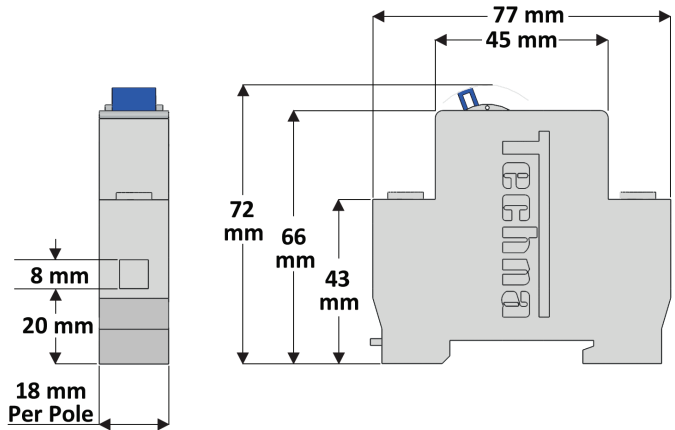


Gtec 6kA Miniature Circuit Breakers

Gtec 6kA MCBs



The Gtec range provides maximum price/performance ratios for customers requiring 6kA protection.

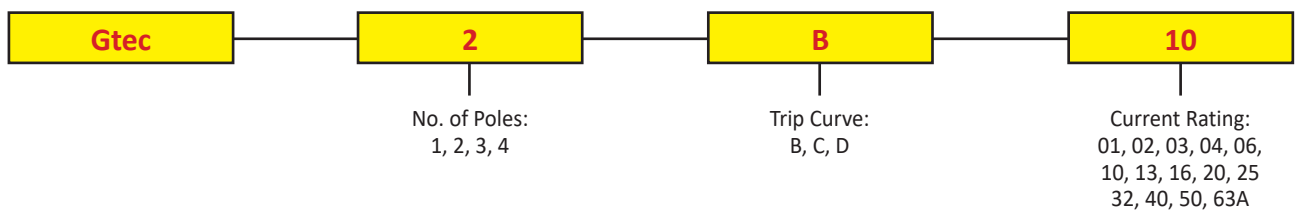
Gtec MCBs are available in a wide range of ratings in trip curves B, C and D.

For more demanding applications a high current variant is available.

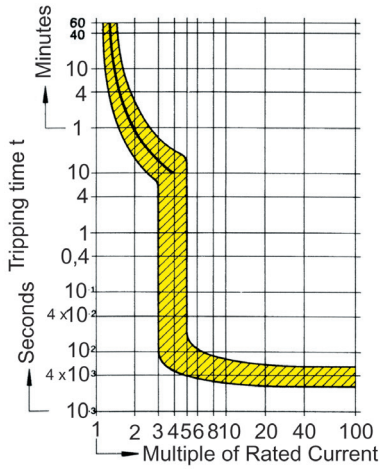
Gtec Technical Specification

Number of Poles	1, 2, 3 or 4
Rated Voltage	230 / 415 Vac
Current Range	1 - 63A
Breaking Capacity	6kA
Trip Curves	B, C and D to EN60898
Terminal Tightening Torque	1.2 - 2Nm

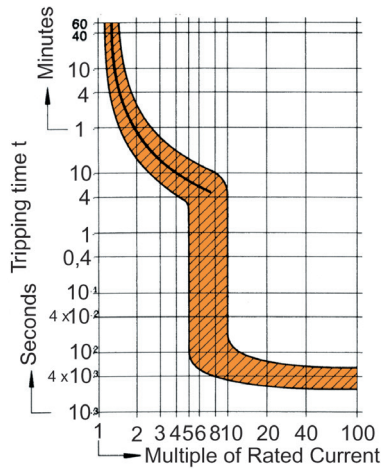
Gtec Ordering Scheme



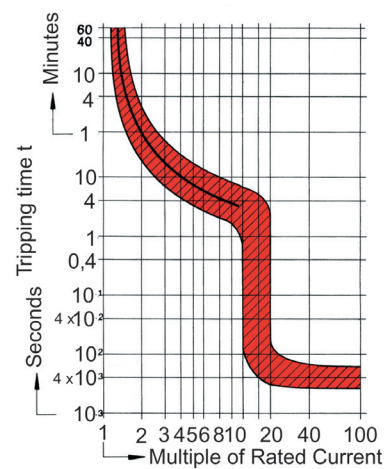
Gtec Trip Curves



B



C



D

Gtec Accessories



Order Code	GTECAUX1CO	GTECAUXSCO
Description	Auxiliary Contact for Indication of Breaker On/Off	Signal Contact for Indication of Breaker Tripped/Not Tripped
Contact Arrangement	1 C/O (Changeover)	1 C/O
Contact Rating	3A, 415 Vac; 1A, 125 Vdc	3A, 415 Vac; 1A, 125 Vdc
Extra Features	-	Positive Indication of Trip Position via Indicator Window in Front Panel

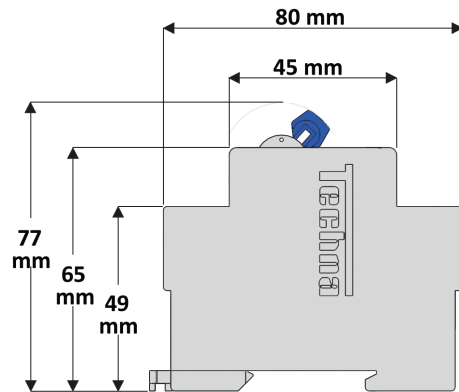
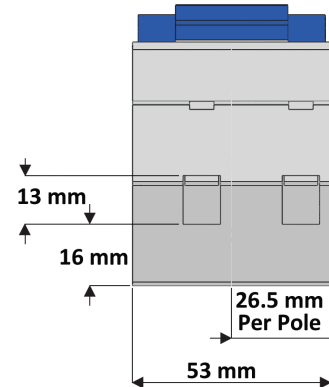
Techna CIRCUIT PROTECTION

Gtec Technical Specification

Tripping Characteristic	B	C	D
Application	Wiring Protection	Wiring Protection, Device Protection	Wiring Protection, Power Circuit, Transformers, Motors
Number of Poles	1 - 4		
Breaking Capacity	6 kA		
Current Limiting Class	3 ($\leq 40A$)		n/a
Rated Voltage AC	230 / 400 Vac		
Frequency Range	50 - 60Hz		
Rated Voltage DC	60 Vdc		
Rated Current Range	1 - 63A		
Thermal Must Hold 1 (A) > 1h	1.13xI _n		
Thermal Must Trip 2 (A) < 1h	1.45xI _n		
Electromagnetic Must Hold (A) > 0.1s	3 x I _n	5 x I _n	10 x I _n
Electromagnetic Must Trip (A) < 0.1s	5 x I _n	10 x I _n	20 x I _n
Reference Calibration Temp.	30°C		
Ambient Operating Range Temp.	-25 to 55°C		
Mechanical Life	100,000 Cycles On/Off		
Installation Position	Any		
Mounting	DIN-Rail according to DIN EN 60715 35mm		
Vibration Resistance	3g		
Cable Size	1mm ² - 25mm ²		
Terminal Tightening Torque	1.5 Nm - 2 Nm		
Bus Bar Comb Connection	BBtec Pin 16		

Rated Current of MCB	Internal Impedances & Power Loss					MCB Temperature Compensation					
	Internal Impedance	Power Loss on CB	Maximum Impedance of Breakdown Loop (0.2/0.4s)			Effective Rated Current allowing for Ambient Temperature.					
I _n (A)	Z (mΩ)	P (W)	Z _Σ (Ω)			I _{cor} (A)					
	Char. B,C,D	Char. B,C,D	Char. B	Char. C	Char. D	Ambient Temperature					
						20°C	23°C	25°C	27°C	30°C	35°C
1.00	1150	1.15	n/a	n/a	n/a	1.04	1.03	1.02	1.01	1.00	0.98
2.00	325	1.3	n/a	n/a	n/a	2.08	2.05	2.04	2.02	2.0	1.96
4.00	98	1.57	n/a	n/a	n/a	4.16	4.11	4.08	4.03	4.0	3.92
6.00	26	0.93	7.67	3.83	1.92	6.24	6.16	6.12	6.05	6.0	5.88
10.0	11	1.09	4.60	2.30	1.15	10.39	10.27	10.2	10.08	10.0	9.8
16.0	7.8	1.99	2.87	1.44	0.72	16.63	16.44	16.31	16.13	16.0	15.69
20.0	4.4	1.77	2.30	1.15	0.57	20.78	20.55	20.39	20.16	20.0	19.61
25.0	3	1.86	1.84	0.92	0.46	25.98	25.69	25.49	25.20	25.0	24.51
32.0	2.7	2.8	1.44	0.72	0.36	33.25	32.88	32.63	32.25	32.0	31.37
40.0	2.2	3.52	1.15	0.57	0.29	41.57	41.10	40.78	40.31	40.0	39.22
50.0	1.3	3.35	0.92	0.46	0.23	51.96	51.37	50.98	50.39	50.0	49.02
63.0	1.2	4.76	0.73	0.36	0.18	65.47	64.73	64.24	63.49	63.0	61.76

Gtec 80A - 100A High Current MCBs



Gtec High Current Technical Specification

Number of Poles	1, 2, 3 or 4
Rated Voltage	230 / 400 Vac
Current Range	80, 100A
Breaking Capacity	6kA
Trip Curves	B, C and D to EN60898
Width	1.5 module (26.5mm)
Ambient Operating Temp. Range	-20 to 60°C
Cable Size	25mm ² - 35mm ²
Terminal Tightening Torque	2.3Nm - 3.5Nm

Auxiliary Contacts are also available for our Gtec High Current MCBs. For more information please see page 5 of the catalogue.

Rated Current of MCB	MCB Temperature Compensation									
	Effective Rated Current allowing for Ambient Temperature.									
I _n (A)	I _{cor} (A)									
	Ambient Temperature									
	-20°C	-10°C	0°C	10°C	20°C	30°C	40°C	50°C	60°C	
80A	97.6	94.8	91.2	88	84.4	80	74.2	70.4	66.7	
100A	120.9	117.9	114	110	105	100	92.9	88	83.3	

Gtec High Current Ordering Scheme

