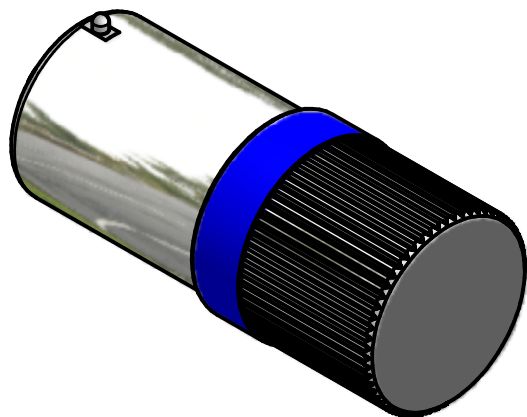


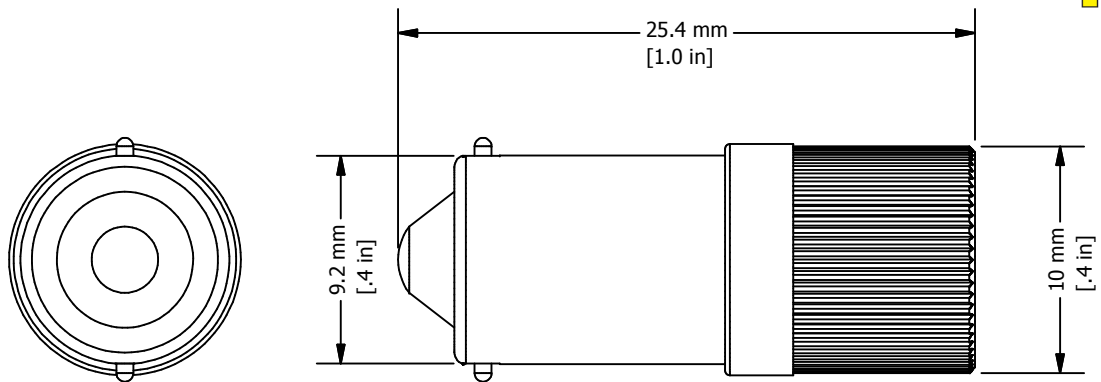
REVISION FOR DWG # 1PB-MCB9xyyy

REV	CH.NO.	DESCRIPTION	DATE	REVISED BY
-	-	ORIGINAL DESIGN	11/15/2007	PHILIPP E.



Replacement LED Bulbs

Color	Voltage	Cat No.	Color	Voltage	Cat No.
<b>12V AC/DC</b>			<b>110V AC/DC</b>		
<input type="checkbox"/> White	12V AC/DC	MCB9112	<input type="checkbox"/> White	110V AC/DC	MCB91110
<input checked="" type="checkbox"/> Green	12V AC/DC	MCB9312	<input checked="" type="checkbox"/> Green	110V AC/DC	MCB93110
<input checked="" type="checkbox"/> Red	12V AC/DC	MCB9412	<input checked="" type="checkbox"/> Red	110V AC/DC	MCB94110
<input checked="" type="checkbox"/> Amber	12V AC/DC	MCB9512	<input checked="" type="checkbox"/> Amber	110V AC/DC	MCB95110
<input checked="" type="checkbox"/> Blue	12V AC/DC	MCB9612	<input checked="" type="checkbox"/> Blue	110V AC/DC	MCB96110
<input checked="" type="checkbox"/> Yellow	12V AC/DC	MCB9812	<input checked="" type="checkbox"/> Yellow	110V AC/DC	MCB98110
<b>24V AC/DC</b>			<b>230V AC</b>		
<input type="checkbox"/> White	24V AC/DC	MCB9124	<input type="checkbox"/> White	230V AC	MCB91230
<input checked="" type="checkbox"/> Green	24V AC/DC	MCB9324	<input checked="" type="checkbox"/> Green	230V AC	MCB93230
<input checked="" type="checkbox"/> Red	24V AC/DC	MCB9424	<input checked="" type="checkbox"/> Red	230V AC	MCB94230
<input checked="" type="checkbox"/> Amber	24V AC/DC	MCB9524	<input checked="" type="checkbox"/> Amber	230V AC	MCB95230
<input checked="" type="checkbox"/> Blue	24V AC/DC	MCB9624	<input checked="" type="checkbox"/> Blue	230V AC	MCB96230
<input checked="" type="checkbox"/> Yellow	24V AC/DC	MCB9824	<input checked="" type="checkbox"/> Yellow	230V AC	MCB98230
<b>48V AC/DC</b>			<b>230V DC</b>		
<input type="checkbox"/> White	48V AC/DC	MCB9148	<input type="checkbox"/> White	230V DC	MCB91230D
<input checked="" type="checkbox"/> Green	48V AC/DC	MCB9348	<input checked="" type="checkbox"/> Green	230V DC	MCB93230D
<input checked="" type="checkbox"/> Red	48V AC/DC	MCB9448	<input checked="" type="checkbox"/> Red	230V DC	MCB94230D
<input checked="" type="checkbox"/> Amber	48V AC/DC	MCB9548	<input checked="" type="checkbox"/> Amber	230V DC	MCB95230D
<input checked="" type="checkbox"/> Blue	48V AC/DC	MCB9648	<input checked="" type="checkbox"/> Blue	230V DC	MCB96230D
<input checked="" type="checkbox"/> Yellow	48V AC/DC	MCB9848	<input checked="" type="checkbox"/> Yellow	230V DC	MCB98230D



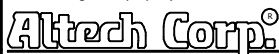
Maximum Power Consumption:

Supply Voltage	LED	
	Power (max) in Watts	Current
12V	0.5W	max 20mA
24V	0.5W	max 20mA
48V	0.5W	max 20mA
110V	0.5W	max 15mA
240V	1W	max 10mA

UNLESS OTHERWISE SPECIFIED:  
 • ALL DIMENSIONS ARE IN MILLIMETERS  
 • THIRD ANGLE PROJECTION



This Drawing is the property of



35 Royal Road  
 Flemington, NJ 08822-6000  
 (908) 806-9400  
 Fax (908) 806-9490

AND IS A CONFIDENTIAL DISCLOSURE LENT WITHOUT CONSIDERATION OTHER THAN THE BORROWER'S AGREEMENT THAT IT SHALL NOT BE REPRODUCED, COPIED, LENT OR DISPOSED OF DIRECTLY OR INDIRECTLY NOR USED FOR ANY PURPOSE OTHER THAN THAT FOR WHICH IT IS SPECIFICALLY FURNISHED.

TITEL 22 mm LED Bulbs MCB9xyyy (x=color; yyy=voltage)

DRAWN BY: Philipp Ernstberger	11/15/2007	DRAWING NO.:	REV.:
CHECKED BY: Laszlo Gyorgypal	11/15/2007	1PB-MCB9xyyy	-
RELEASED BY: Laszlo Gyorgypal	11/15/2007	SCALE: -	SHEET: 1 OF: 1

TOLERANCE	
XX	= ±1 mm
XX.X	= ±0.5 mm
XX.XX	= ±0.2 mm
ALL	= - mm

METRIC