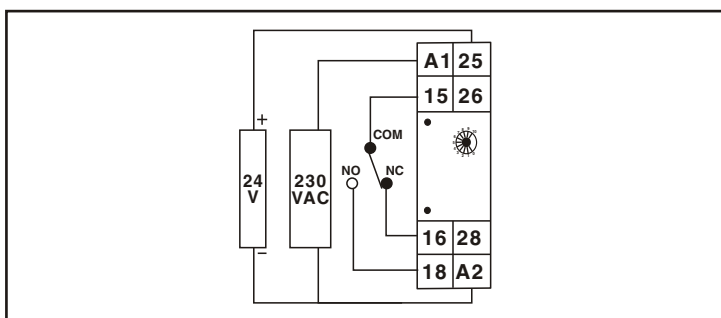




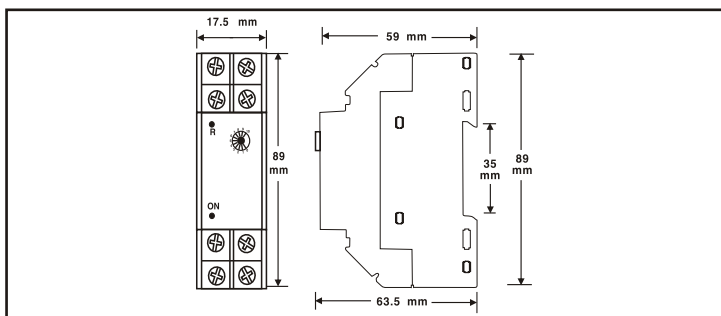
Ordering Information

Order Code	Supply Voltage
642 SQ-230	230 VAC & 24 VAC/DC
642 SQ-110	110 VAC & 24 VAC/DC

Terminal Connections



Dimensions (in mm)



Technical Specifications

Modes¹	ON delay / Interval
Time Ranges	15 / 60 sec, 7.5 / 60 min
Accuracy	Setting: $\pm 5\%$ of full scale Repeat: $\pm 0.5\%$ or 50 ms
Reset	On interruption of power Reset time < 100 ms
LED Indications	Power ON, Relay ON
Output contacts	1 C/O (SPDT)
Relay rating	5 A @ 230 VAC / 24 VDC resistive
Supply voltage	230 VAC & 24 VAC/DC 110 VAC & 24 VAC/DC (AC : 50 or 60Hz)
Temperature	Operating: 0 to 50°C Storage: -20 to 75°C
Humidity (Non-condensing)	95% RH
Weight	65 gms
Certifications	CE