



Features:

- Cyclic With Unequal ON & OFF Time
- 6 Time Ranges
- Universal Supply Voltage
- LED Status Indicator: Power ON, Relay ON
- Compact Size

Size: 1/16 DIN 48mm x 48mm

Certifications:

Technical Specifications

Input Specifications

| | |
|----------|--|
| Accuracy | Setting: $\pm 5\%$ of F.S. Repeat: $\pm 0.5\%$ or 50 msec (F.S. = Full Scale) |
| Reset | On interruption of power; Reset time < 100 msec |

Output Specifications

| | |
|----------------|----------------------------------|
| Output Contact | DPDT (2 C/O) |
| Contact Rating | 5A @ 230V AC / 24V DC, resistive |

Functional Specifications

| | |
|-------------|--|
| Modes | Cyclic ON first or OFF first |
| Time Ranges | 0 - 1 sec / min / hr (ON Time) 0 - 10 sec / min / hr (ON Time) 0 - 1 sec / min / hr (OFF Time) 0 - 10 sec / min / hr (OFF Time) |

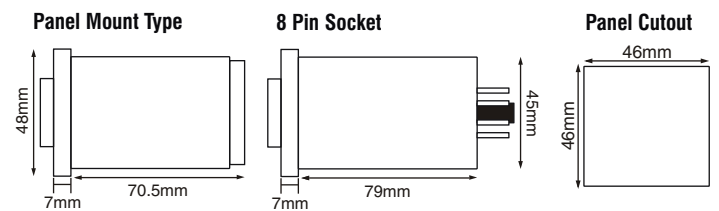
Supply Voltage

| | |
|-------------------|--|
| Supply Voltage | 20 to 240V AC (50 / 60Hz) 12 to 240V DC |
| Power Consumption | 2VA max |

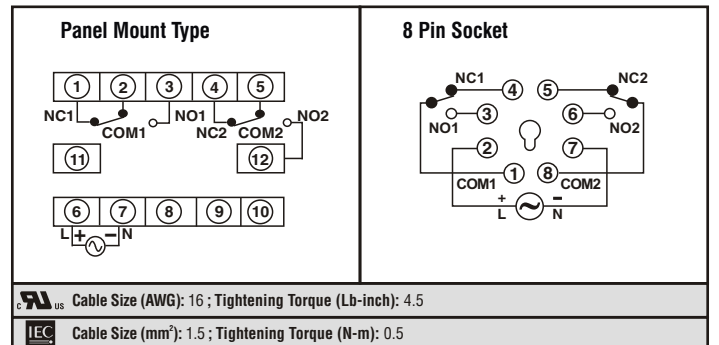
Environmental Specifications

| | |
|---------------------------|--|
| Temperature | Operating: 0 to 50°C (32 to 122°F) Storage: -20 to 75°C (-4 to 167°F) |
| Humidity (non-condensing) | 95% RH |
| Weight | 80 g (0.176 lbs) |
| Protection Level | IP40 for faceplate |

Dimensions



Terminal Connections



Ordering Information

This product is available in certified (UL and CE) as well as in non-certified (without UL/CE marking) types. Please order as per the requirement.

| Part No. | Supply Voltage | Terminal Connection | | Certification |
|------------|--------------------------------|---------------------|------------------|---------------|
| | | 8 Pin Socket | Panel Mount Type | |
| 55XC-P8 | 20 to 240V AC 12 to 240V DC | ■ | | |
| 55XC-P8-CU | 20 to 240V AC 12 to 240V DC | ■ | | |
| 55XC-T | 20 to 240V AC 12 to 240V DC | | ■ | |
| 55XC-T-CU | 20 to 240V AC 12 to 240V DC | | ■ | |

Timing Diagram

