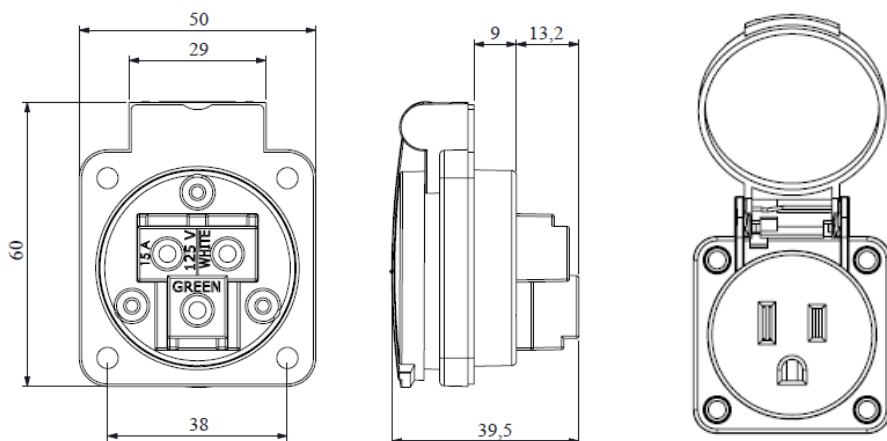


# Altech Corp.®

## Technical Specifications : AL12505



### Order Code:

AL12505

BLUE

## Technical Information :

### General Specifications

Operating Temperature	-25/+80°C
Mechanical life	≥5.000
Electrical Life	≥1.000
Protection Degree	IP44

### Standards:

- TS EN 61984



## Electrical Informations :

### General Specifications

Range Of Use		AC15
Operating Current	Ie	16A (250V AC)
Insulation Voltage	Ui	690V
Impact Resistance	Uimp	2 kV
Insulation Resistance		10 MΩ min. (500V DC)
Dielectric Strength		2.000V AC