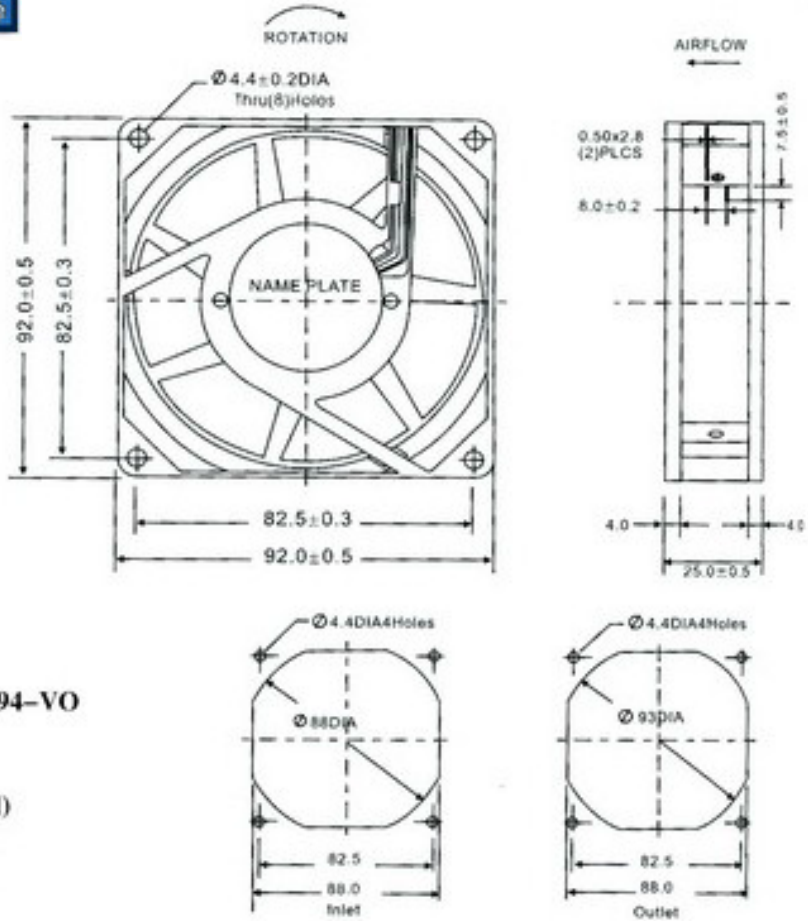


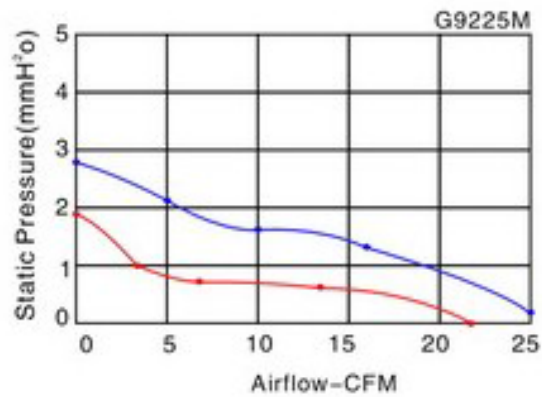
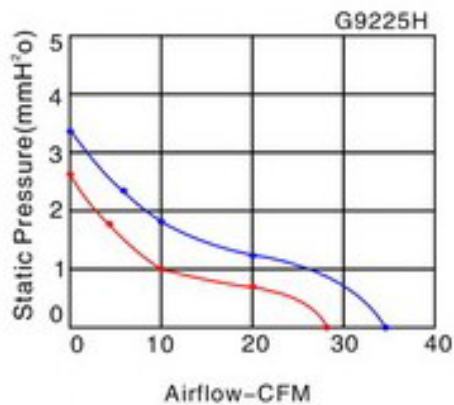


Size: 92mmx92mmx25mm  
 Airflow: 37~58m3/hr  
 22~34CFM

Weight: 268g  
 Noise: 28~40dBA  
 Impeller: PBT Thermoplastic Black, UL94-V0  
 Frame: Aluminum Alloy  
 Terminals: 0.5mm  
 Lead Wire: AWG#22 UL 1007 (Optional)  
 Motor: Shaded Pole Induction Motor  
 Safety: UL > CUL > TUV > CE >   
 Operation Temperature: -10°C ~ +65°C



Model	Bearing System	Voltage VAC	Freq. Hz	Current A	Power W	Speed RPM	Noise dBA	Air Flow		Phase	Capacitor
								M3/hr	CFM		
G9225HA,S	Sleeve	100~125	50/60	0.14	13	2300/2800	34/40	47/58	28/34	1	/
G9225HA,S		200~240	50/60	0.07	13	2300/2800	34/40	47/58	28/34	1	/
TP-FAN10-92BU	Ball	100~125	50/60	0.14	13	2300/2800	34/40	47/58	28/34	1	/
TP-FAN20-92BU		200~240	50/60	0.17	13	2300/2800	34/40	47/58	28/34	1	/



Key  
 — 60Hz  
 — 50Hz