

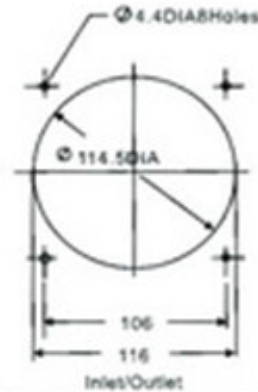
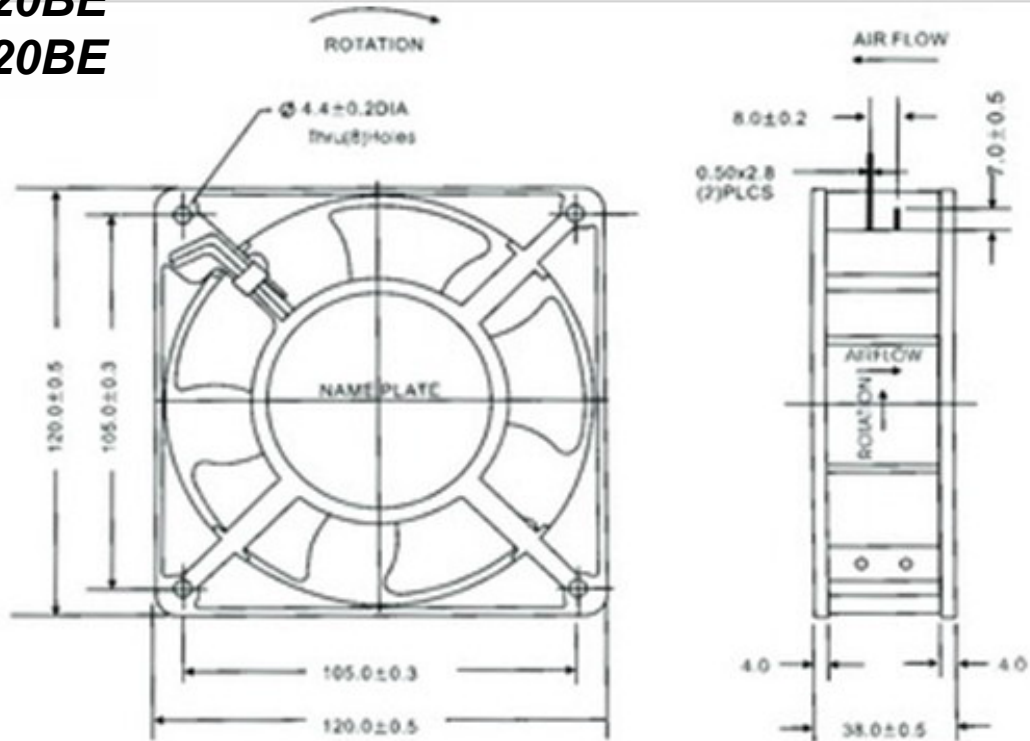


TP-FAN10-120BE
TP-FAN20-120BE



Size: 120mmx120mmx38mm
Airflow: 122~162m³/hr
72~95CFM

Weight: 480g
Noise: 39~48dBA
Impeller: PBT Thermoplastic Black, UL94-V0
Frame: Aluminum Alloy
Terminals: 0.5mm
Lead Wire: AWG#22 UL 1007(Optional)
Motor: Shaded Pole Induction Motor
Safety: UL > CUL > TUV > CE > 
Operation Temperature: -10°C~+65°C



Model	Bearing System	Voltage VAC	Freq. Hz	Current A	Power W	Speed RPM	Noise dBA	Air Flow		Phase	Capacitor
								M3/hr	CFM		
TP-FAN10-120BE	Ball	100~125	50/60	0.28	21	2600/3000	43/48	138/162	82/95	1	/
TP-FAN20-120BE		200~240	50/60	0.14	21	2600/3000	43/48	138/162	82/95	1	/